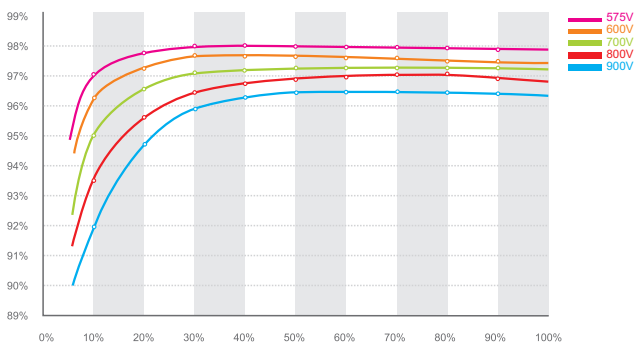


Leading - edge Technology

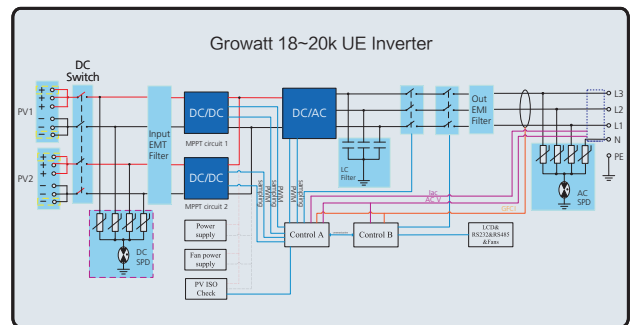
- ▶ DC input voltage up to 1000V
- ▶ Maximum efficiency of 98%
- ▶ Internal DC switch
- ▶ Transformerless
- ▶ Compact design
- ▶ Multi MPP controller
- ▶ MTL - String
- ▶ Ethernet/RF technology/WiFi
- ▶ Sound control
- ▶ Easy installation
- ▶ Comprehensive Growatt warranty program



Growatt 20000UE efficiency



Growatt 18-20k UE topology



Datasheet	Growatt 18000UE	Growatt 20000UE
Input Data		
Max. DC power	19800W	22000W
Max DC voltage	1000V	1000V
Start Voltage	350V	350V
PV voltage range	180V - 1000V	180V - 1000V
MPP voltage range / nominal voltage	300V - 1000V / 600V	300V - 1000V / 600V
Full load DC voltage range	400V - 800V	400V - 800V
Number of MPP trackers/ strings per MPP tracker	2/3	2/3
Max. input current	23A / 23A	26A / 26A
Max. input current per string	20A	20A
Output (AC)		
Rated AC output power	18kW	20kW
Max. AC apparent power	18kVA	20kVA
Max. output current	28.6A	32A
AC nominal voltage; range	230V/400V 184 - 275V	230V/400V 184 - 275V
AC grid frequency; range	50-60Hz; 44-55Hz/54-65Hz	50-60Hz; 44-55Hz/54-65Hz
Power factor at rated power	1	1
Displacement power factor configurable	0 overexcited to 0 underexcited	0 overexcited to 0 underexcited
THDI	<3%	<3%
AC connection	3/N/PE, 3W+PE(Opt)	3/N/PE, 3W+PE(Opt)
Efficiency		
Max. efficiency	98%	98%
Euro - eta	97.5%	97.5%
MPPT efficiency	99.5%	99.5%
Protection Devices		
DC reverse polarity protection	yes	yes
DC switch for each MPPT	yes	yes
Output AC overcurrent protection	yes	yes
Output AC overvoltage protection - varistor	yes	yes
Ground fault monitoring	yes	yes
Grid monitoring	yes	yes
Integrated all-pole sensitive leakage current monitoring unit	yes	yes
General Data		
Dimensions (W / H / D)	570/740/235 mm	570/740/235 mm
Weight	60kg	60kg
Operating temperature range	-25 °C ... +60 °C (with derating above 45°C)	-25 °C ... +60 °C (with derating above 45°C)
Noise emission (typical)	≤ 55 dB(A)	≤ 55 dB(A)
Self-Consumption (night)	<0.5W	<0.5W
Standby consumption	12W	12W
Topology	Transformerless	Transformerless
Cooling concept	Smart cooling	Smart cooling
Environmental Protection Rating	IP65	IP65
Altitude	2000m without derating	2000m without derating
Relative Humidity	0~100%	0~100%
Features		
DC connection	H4/MC4(opt)	H4/MC4(opt)
AC connection	Screw terminal	Screw terminal
Display	LCD	LCD
Interfaces: RS232/R485/LAN/RF/WiFi/GPRS	yes / yes / opt / opt / opt / opt	yes / yes / opt / opt / opt / opt
Warranty: 5 years / 10 years	yes / opt	yes / opt
Certificates and Approvals		
VDE-AR-N4105, CEI 0-21, CEI 0-16, CE, VDE 0126-1-1, IEC 62109, RD 1663, G59, C-tick, AS4777, AS/NZS 3100, IEC61727, IEC62116, BDEW(For 18-20k), IEC 60068, IEC 61683, NRS 097-2-1, PEA, G59, EN50438, PEA, MEA		