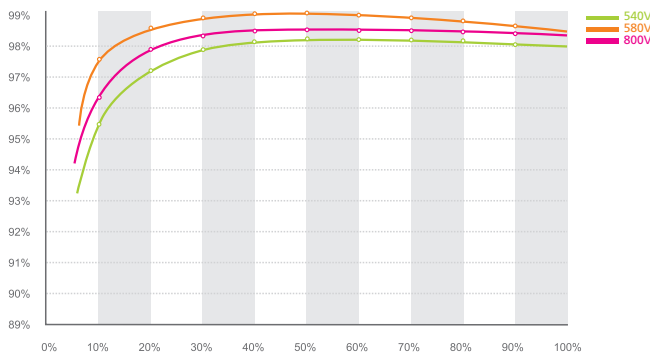


Leading - edge Technology

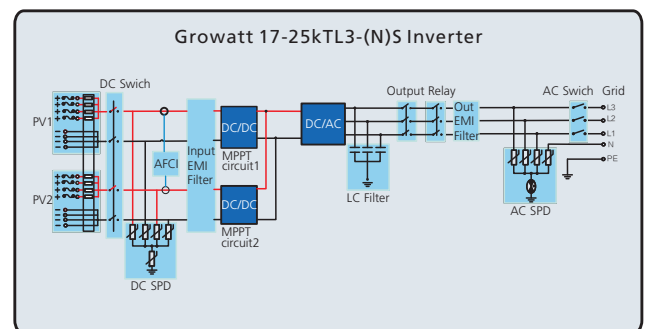
- ▶ Maximum efficiency of 98.7%
- ▶ Multi MPP controller and MTL string
- ▶ 6 strings intelligent monitoring and Fuse protection
- ▶ Leading IPM (Intelligent Power Module), more reliable
- ▶ Internal DC switch and Transformerless
- ▶ Type II surge arresters for both DC and AC
- ▶ Anti-PID for PV module
- ▶ Supporting AC power supply
- ▶ Compact design and easy installation
- ▶ Comprehensive warranty program



Growatt 25000TL3-S efficiency



Growatt 17-25kTL3-(N)S topology



| Datasheet | Growatt 17000TL3-S | Growatt 20000TL3-S | Growatt 25000TL3-S |
|--|---------------------------|---------------------------|---------------------------|
| Input Data | | | |
| Max recommended PV Power (for module STC) | 21250W | 25000W | 31250W |
| Max DC voltage | 1000V | 1000V | 1000V |
| Start Voltage | 250V | 250V | 250V |
| PV voltage range | 200V - 1000V | 200V - 1000V | 200V - 1000V |
| Nominal voltage | 580V | 580V | 580V |
| Full load MPP voltage range | 400V - 800V | 400V - 800V | 400V - 800V |
| Max. input current | 37.5A | 37.5A | 37.5A |
| Max. input current per string | 45A | 45A | 45A |
| Number of MPP trackers / strings per MPP tracker | 2/3 | 2/3 | 2/3 |
| Output (AC) | | | |
| Rated AC output power | 17000W | 20000W | 25000W |
| Max. AC apparent power | 18800VA | 22200VA | 27700VA |
| Max. output current | 27.5A | 32.2A | 40.3A |
| AC nominal voltage | 230V/400V | 230V/400V | 230V/400V |
| AC grid frequency | 50Hz/60Hz | 50Hz/60Hz | 50Hz/60Hz |
| Power factor | 0.8 leading - 0.8 lagging | 0.8 leading - 0.8 lagging | 0.8 leading - 0.8 lagging |
| THDi | <3% | <3% | <3% |
| AC grid connection type | 3W+N+PE | 3W+N+PE | 3W+N+PE |
| Efficiency | | | |
| Max. efficiency | 98.7% | 98.7% | 98.7% |
| Euro - eta | 98.4% | 98.4% | 98.4% |
| MPPT efficiency | 99.5% | 99.5% | 99.5% |
| Protection Devices | | | |
| DC reverse polarity protection | yes | yes | yes |
| DC Switch for each MPPT | yes | yes | yes |
| DC Surge protection | Class II | Class II | Class II |
| Ground fault monitoring | yes | yes | yes |
| Output short circuit protection | yes | yes | yes |
| AC Surge protection | Class II | Class II | Class II |
| String Fuse protection | yes | yes | yes |
| String fault monitoring | yes | yes | yes |
| Anti-PID protection | yes | yes | yes |
| AFCI protection | opt | opt | opt |
| General Data | | | |
| Dimensions (W / H / D) | 470/754/270 mm | 470/754/270 mm | 470/754/270 mm |
| Weight | 48kg | 48kg | 48kg |
| Operating temperature range | -25 °C ... +60 °C | -25 °C ... +60 °C | -25 °C ... +60 °C |
| Noise emission (typical) | ≤50 dB(A) | ≤50 dB(A) | ≤50 dB(A) |
| Self-Consumption (night) | <1W | <1W | <1W |
| Topology | Transformerless | Transformerless | Transformerless |
| Cooling concept | Smart cooling | Smart cooling | Smart cooling |
| Environmental Protection Rating | IP65 | IP65 | IP65 |
| Altitude | 4000m | 4000m | 4000m |
| Relative Humidity | 0~100% | 0~100% | 0~100% |
| Features | | | |
| Display | LED+ LCD | LED+ LCD | LED+ LCD |
| Interfaces: RS232/R485/WiFi | yes / yes / opt | yes / yes / opt | yes / yes / opt |
| Warranty: 5 years / 10 years | yes / opt | yes / opt | yes / opt |
| Certificates and Approvals | | | |